



3CCD Colour Video Camera

The new BRC-300P from Sony is a revolutionary all-in-one compact robotic colour video camera system, specially designed for remote video shooting applications. It incorporates three 1/4.7-type Advanced HAD™ CCDs, providing high-quality and high-resolution images in both 4:3 and 16:9 modes.

With its high-accuracy and wide-range Pan / Tilt / Zoom capability, the BRC-300P precisely captures the right points of the viewable area surrounding the camera to meet your needs. The optional RM-BR300P Remote Control Unit, which is equipped with an ergonomic joystick and feature-rich control panel, makes it even easier to operate the camera. In addition, when used with the optional BRBK-303 Optical Multiplex Card and BRU-300P Optical Multiplex Unit, the BRC-300P can be controlled from up to 500 metres with a single fibre optic cable connection.

The BRC-300P comes equipped with a card slot that accepts optional interface cards, enabling the camera to be integrated into every kind of system from S-Video to RGB, SDI or even fibre. In addition, two remote control interfaces (VISCA™ protocol) are available to provide additional expandability and flexibility for your remote shooting applications.

With a number of convenient features such as its Image Flip function for desktop or ceiling mount flexibility together with its compact body, the BRC-300P is ideal for use in a wide range of remote shooting applications such as houses of worship, distance learning, corporate training, high-end videoconference, event shooting, and cable TV broadcasting.



BCR-300P



Main Features

Superb Picture Quality with a Mega Pixels 3-CCD

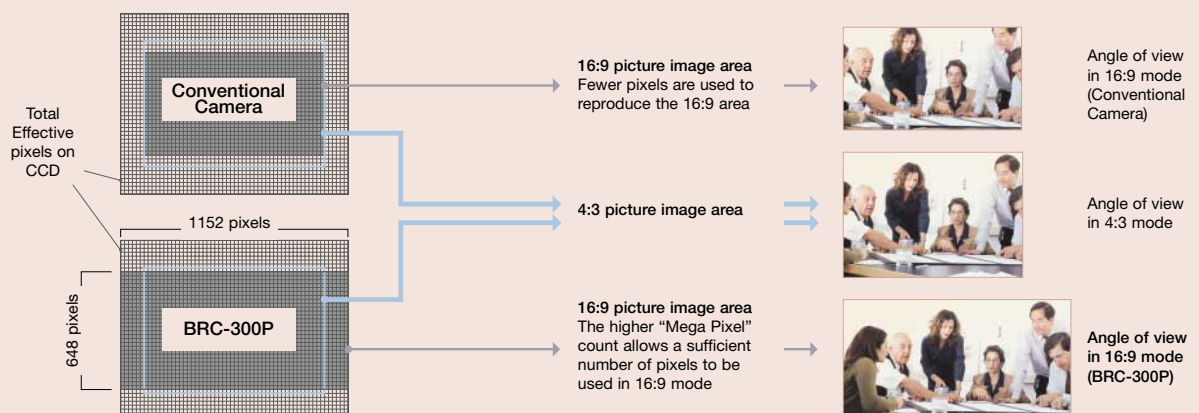
The BCR-300P incorporates three 1/4.7-type Advanced HAD CCD sensors with a total of 1,070,000 pixels allowing the camera to deliver outstanding picture quality with high resolution and accurate colour reproduction. Featuring Sony Advanced HAD technology that produces low-noise images, the BCR-300P is ideal in low-illuminated shooting environments or when shooting dark subjects.

Precision 16:9 Technology

The BCR-300P captures images in both 4:3 and 16:9 aspect ratios and, with its 3CCD technology, is able to achieve a wide angle of view in the 16:9 mode.

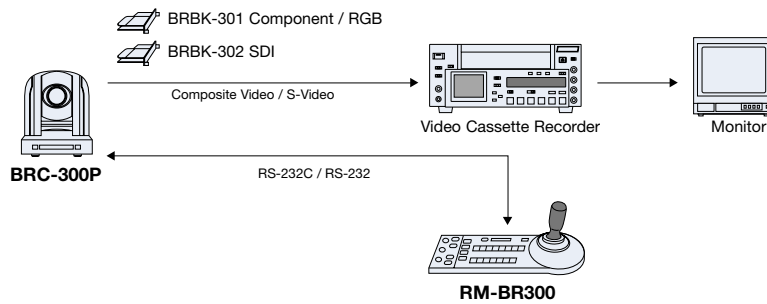
Due to the greater number of pixels used in the 16:9 aspect ratio, the BCR-300P generates extremely high-resolution images when compared to conventional cameras.

(Fig. 1) 16:9 aspect ratio

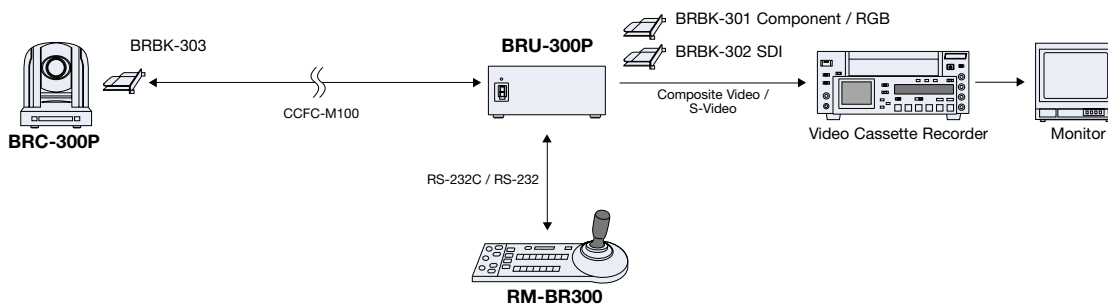


System Configuration

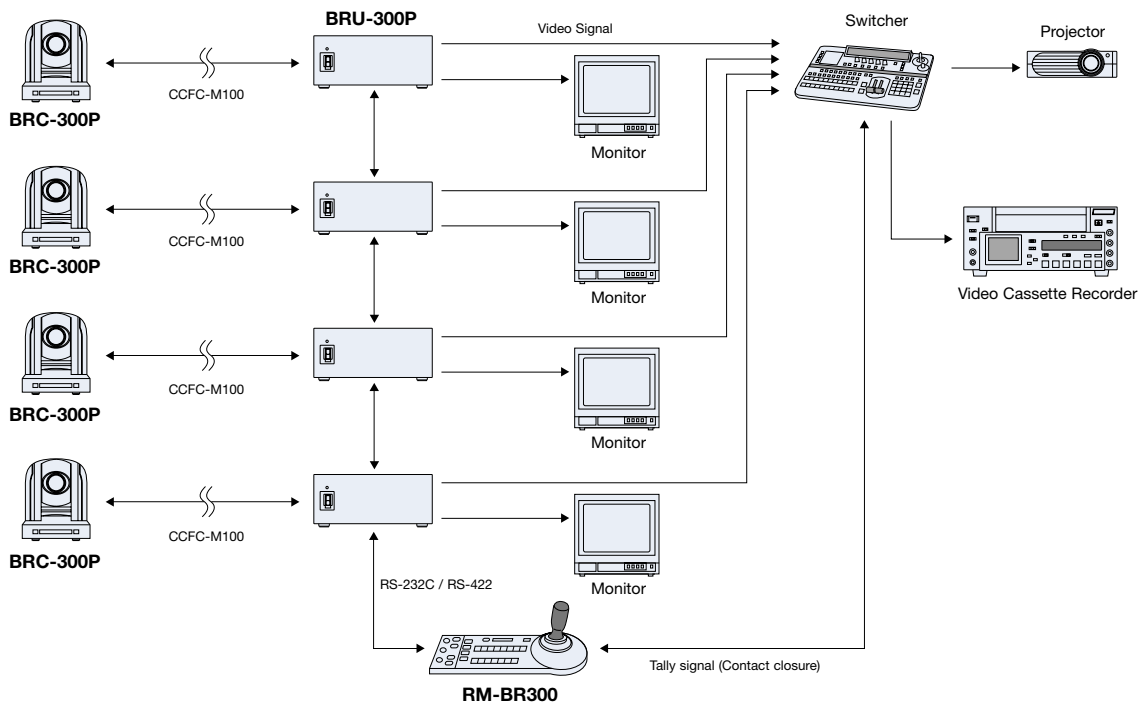
Short-distance operation



Long-distance operation



Multiple camera operation from a remote location





High-Performance Sony Pan/Tilt/Zoom Mechanism

The BRC-300P covers a wide shooting range with its highly accurate Pan/Tilt mechanism. It has one of the widest ranges in its class: a pan range of 340 degrees and a tilt range of 120 degrees. The 340-degree pan range can be covered in 8 seconds, while the 120-degree tilt range can be covered in 4.5 seconds. With its newly-developed Pan/Tilt mechanism, the BRC-300P can capture not only fast-moving objects, but also slow-moving objects without rocking vibration. What's more, the BRC-300P incorporates a 12x optical auto-focus zoom lens, allowing for a zoom capability of up to 48x when used in combination with its 4x digital zoom.

RS-232C/RS-422 Remote Control (VISCA protocol)

The BRC-300P can be controlled by external devices such as the optional RM-BR300 Remote Control Unit thanks to Sony's well-known VISCA protocol. All local controls such as Pan/Tilt/Zoom, camera settings and six presets can be easily accessed, while up to seven cameras can be daisy-chained and controlled by the RM-BR300 Remote Control Unit.

Versatile Video Outputs

The BRC-300P can be used with a range of versatile optional interface cards allowing for flexible analogue and digital system configurations. Choose from the following interface cards to configure your individual requirements:

- Analogue RGB/Component: BRBK-301*1
- SDI: BRBK-302*1

Thanks to these convenient options, the BRC-300P truly functions as an all-in-one, compact robotic camera.

*1: Can be installed into the both BRC-300P and BRU-300P.

Optional Accessories

BRBK-301
Analogue/RGB
Component Card

BRBK-302
SDI Card

BRBK-303
Optical Multiplex Card

RM-BR300
Remote Control Unit



Other Convenient Features

Ceiling or Desktop Mount Installation

Thanks to Sony's Image Flip functions, the BRC-300P can be ceiling-mounted using the supplied ceiling mount kit or can also be used on your desktop.

Six Presets

Various camera settings such as Pan/Tilt/Zoom and focus can be preset in up to six presets per camera.

Multi-Function IR Remote Commander® Unit

Basic camera settings such as Pan/Tilt/Zoom functions and six preset patterns can be controlled from the supplied IR Remote commander.

Easy-to-use and Ergonomically-designed Remote Control Unit (RM-BR300)

All camera settings including the Pan/Tilt/Zoom function and six preset patterns can be controlled from the optional RM-BR300 Remote Control Unit. The ergonomic joystick design and feature-rich control panel provide superb operability in various remote-shooting applications.

Optical Multiplex Unit (BRU-300P)

With the optional BRBK-303 Optical Multiplex Card and the optional BRU-300P Optical Multiplex Unit, uncompressed digital data including external sync and camera control can be transmitted via the BRU-300P Optical Multiplex Unit. With only a single cable connection required between the camera and the optical multiplex unit, the system is extremely easy to install. The maximum cable length between these units is 500 metres – allowing multiple cameras to be located virtually anywhere you want.

What's more, the BRU-300P Optical Multiplex Unit is equipped with two built-in card slots identical to the ones found in the BRC-300P camera allowing for flexible analogue and digital system configurations.



RM-BR300 control panel



RM-BR300 rear panel



Supplied IR Remote commander



BRC-300P rear panel with the optional BRBK-302



BRU-300P rear panel with the optional BRBK-301/BRBK-302

PrimeSupport

Enhanced service and operational/technical back-up solutions from Sony PrimeSupport may be available. Please ask your local Sony office or dealer for details.

BRU-300P
Optical Multiplex Unit

CCFC-M100
Optical Fiber Cable

CCMC-9DS
RGB/Component,
Y/C Cable
(9-pin D-sub)

CCXC-9DBS
RGB/Component,
VBS Cable
(9-pin D-sub)

VCL-HG0737X
Wide Conversion Lens

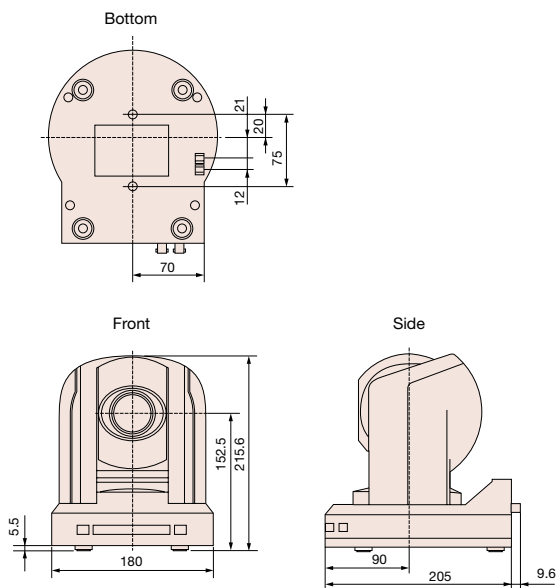


Specifications

BRC-300P 3CCD Colour Video Camera

Image device	Three 1/4.7 type IT Advanced HAD CCD (x3), 1,070,000 pixels (gross)
CCD effective pixels	4:3 mode 960 (H) x 720 (V) 16:9 mode 1,152 (H) x 648 (V)
Effective pixels	752 (H) x 582 (V)
Signal system	PAL
Horizontal resolution	4:3 mode: 600 TV lines
Sync systems	Internal/External
Lens	12x optical zoom, 48x with digital zoom
Focal length	f = 3.6 to 43.2 mm (F1.6 to F2.8)
Horizontal viewing angle	4:3 mode: 3.3 (Tele end) to 37.8 degrees (Wide end) 16:9 mode: 4.0 (Tele end) to 45.4 degrees (Wide end)
Minimum object distance	300 mm (Wide end), 800 mm (Tele end)
Pan/Tilt angle	-170 to +170 degrees (Pan), -30 to +90 degrees (Tilt)
Pan/Tilt speed	0.25 to 60 degrees/s (Pan/Tilt)
Minimum illumination	7 lx at F1.6
S/N ratio	50 dB
Shutter speed	1/10000 to 1/3 s
Gain	Auto/Manual (-3 to 18 dB, 3 dB steps) switchable
White balance	Auto, Indoor, Outdoor, One-push WB, Manual
Preset positioning	6 positions
Analogue output	VBS (BNC), Y/C (4pin Mini DIN)
Camera control interface	RS-232C (VISCA protocol) / RS-422 (VISCA protocol)
Back-light compensation	On / Off
Operating temperature	0 to 40 degrees (32 to 104 °F)
Storage temperature	-20 to 60 degrees (-4 to 140 °F)
Power requirement	DC 12 V
Power consumption	21.6 W (without optional card)
Dimensions (W x D x H)	180 x 205 x 211 mm (7 1/8 x 8 1/8 x 8 3/8 inches)
Mass	2.7 kg (5 lb 15 oz)
Supplied accessories	AC adaptor (1), IR remote commander (1), Terminal connector (1), AC adaptor cable (1), Ceiling bracket (2), Operating instructions (1)

BRC-300P Dimensions (Unit: mm)



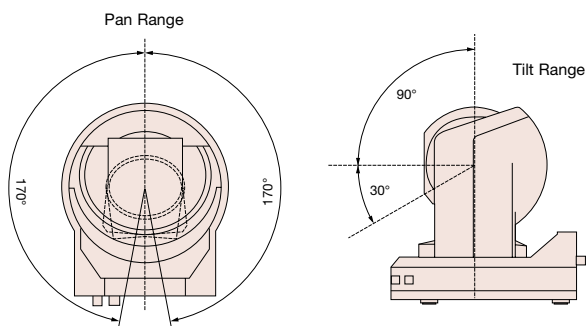
BRU-300P Optical Multiplex Unit

Optical fibre	Multi mode, LC-type connector
Video output	VBS (BNC), Y/C (4-pin Mini DIN)
Camera control interface	RS-232C (VISCA protocol) / RS-422 (VISCA protocol)
Sync systems	Internal/External
Card slots	2 slots: Analogue RGB-Component card / SDI card
Operating temperature	0 to 40 degrees (32 to 104 °F)
Storage temperature	-20 to 60 degrees (-4 to 140 °F)
Power requirements	AC 220 to 240 V, 50/60 Hz
Power consumption	9 W (without optional cards)
Dimensions (WxHxD)	212 x 88 x 233 mm (8 3/8 x 3 1/2 x 9 1/4 inches)
Mass	2.7 kg (5 lb 15 oz)
Supplied accessories	AC power cable (1), Terminal connector (1), RS-232C cable (3 m, 8-pin Mini DIN) (1), Operating instructions (1)

RM-BR300 Remote Control Unit

Camera control interface	RS-232C (VISCA protocol) / RS-422 (VISCA protocol)
External control	Contact closure
Power requirement	DC 10.8 to 13.2 V
Power consumption	2.4 W
Dimensions (WxHxD)	391.3 x 185 x 145.9 mm (15 1/2 x 7 3/8 x 5 3/4 inches)
Mass	950 g (2 lb 1 oz)
Supplied accessories	AC adaptor (1), AC power cable (1), RS-232C cable (3 m, 8-pin Mini Din) (1), Terminal connector(2), Operating instructions (1)

BRC-300P Pan/Tilt Range



© 2004 Sony is a registered trademark of the Sony Corporation, Japan. Features and specifications are subject to change without notice. All non-metric weights and measures are approximate. Sony, Advanced HAD, VISCA, PrimeSupport and Remote Commander are trademarks of Sony Corporation. CA BRC-300P/GB- / /2004

SONY

SONY EUROPE

www.sonybiz.net